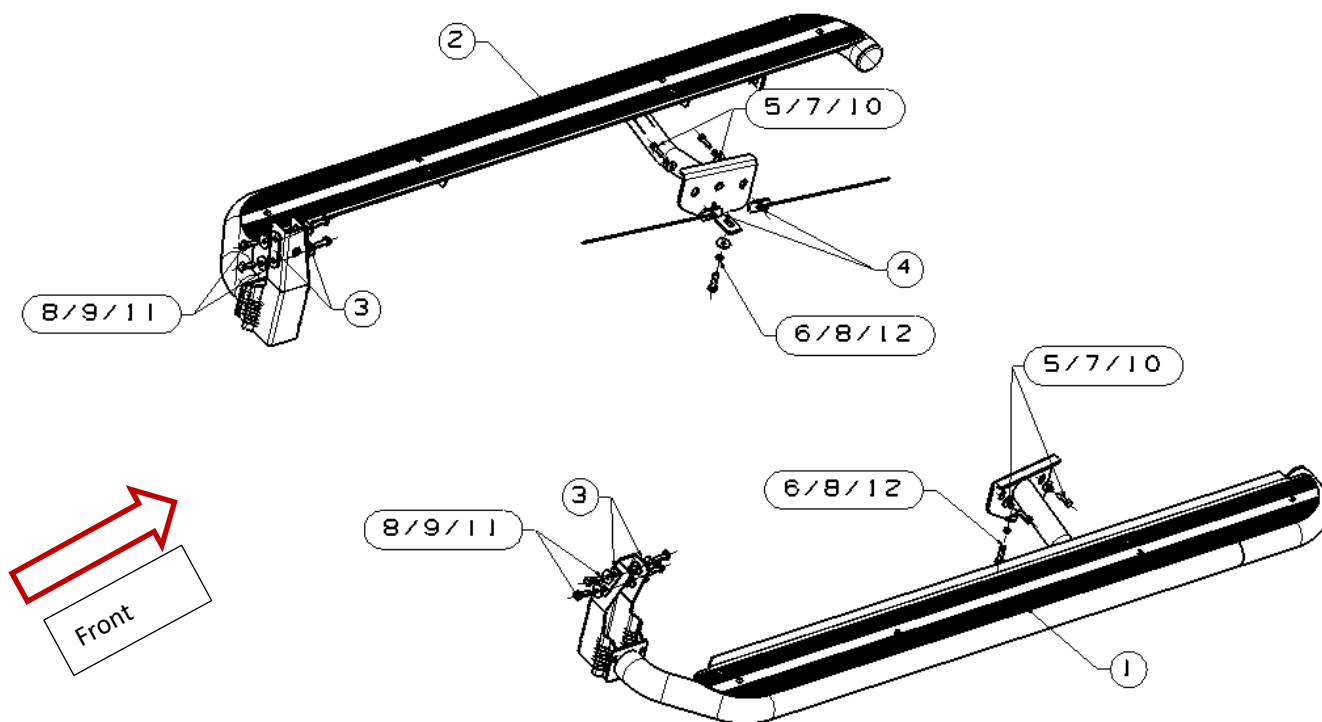


# Fitting instruction

Description:	OCAM Heavy Duty Steel Side Step
Model:	Toyota Landcruiser 79 Series, Single Cab, 2007-Current
Item NO.:	SS2-79-SC



## Before Installation

- Please read the instruction carefully. They will also help you to avoid scratches or other potential damage to your vehicle.
- All images are for reference only and may vary slightly with the actual product you received.

## Care and Cleaning

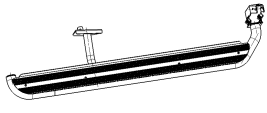
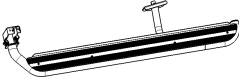
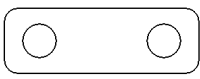
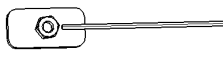
- Mild soap may be used also to clean the side steps.
- Please periodically check and retighten all the hardware and keep your investment clean for a fresh look..

## Standard locking torque

M10 - 80 Nm

# Fitting instruction

## Parts list

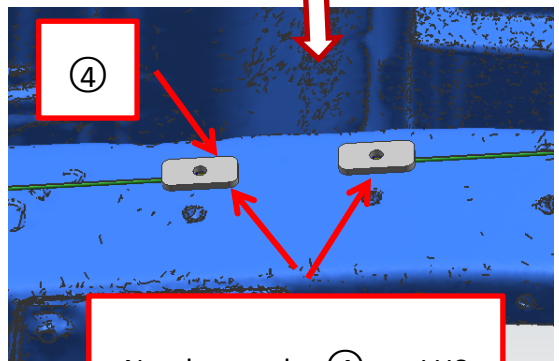
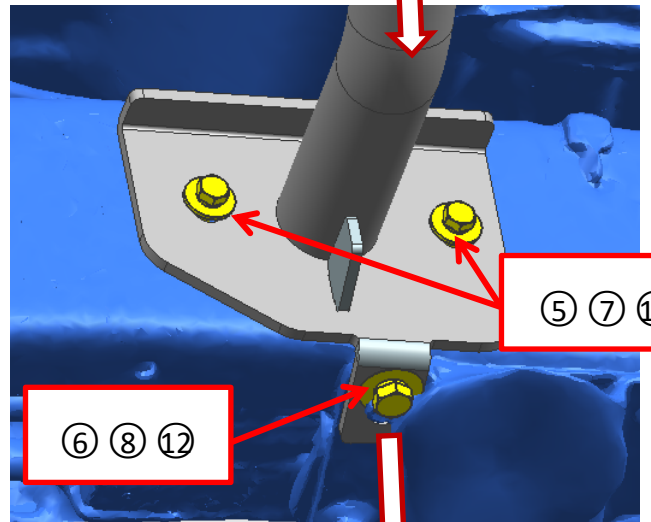
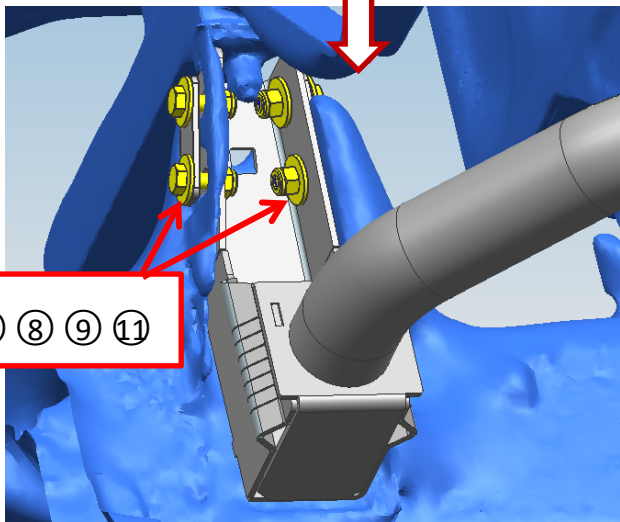
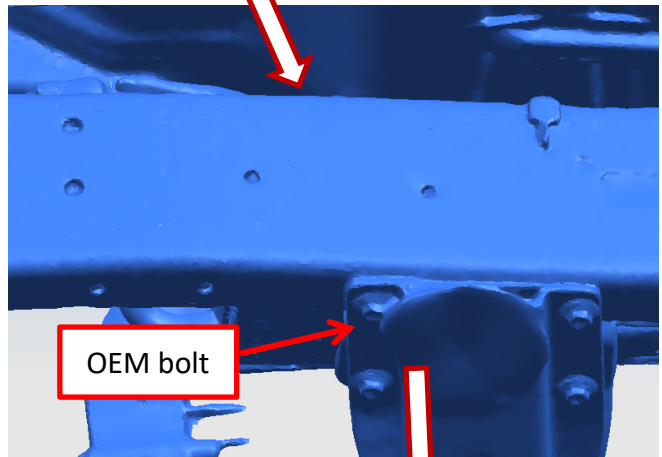
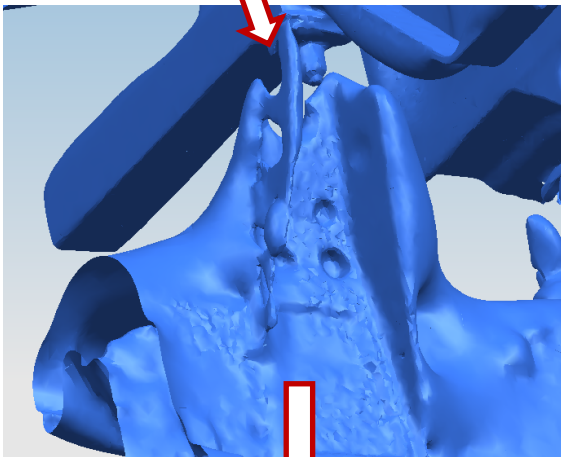
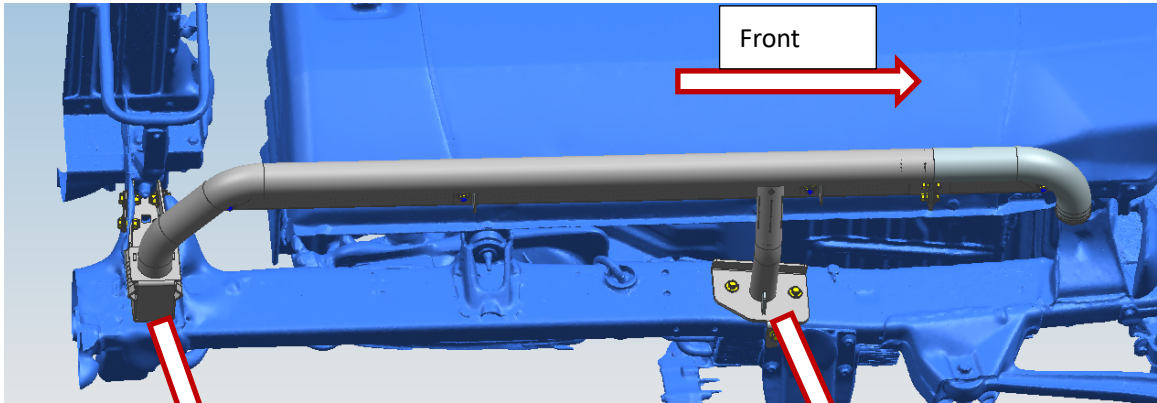
Item	Item NO.	Description	Qty	Item	Item NO.	Description	Qty
①	200416642	 Side Step Assembly LHS	1	②	200416623	 Side Step Assembly RHS	1
③	200013036	 Spacer	4	④	200429260	 Nut Plate M8x25	2

## Hardware kit

Item	Item NO.	Description	Qty
⑤	3000147	Spring washer M8	4
⑥	3000160	Spring washer M10	2
⑦	3000238	Flat washer M8(8x24x2mm)	4
⑧	3000245	Flat washer M10(10x30x2.5mm)	18
⑨	3001410	Hex nut M10	8
⑩	3002600	Hex head bolt (full thread) M8_30	4
⑪	3002702	Hex head bolt (full thread) M10_30	8
⑫	3003027	Hex head bolt (full thread) M10x1.25_35	2

# Fitting instruction

Installation Steps:



Need to apply ④ to LHS

# Fitting instruction

---

## RHS Step Installation:

- Step 1: As above illustration, please remove OEM bolt from the chassis rail and place it aside.
- Step 2: Please install the side step RHS to the chassis rail with #3/5/6/7/8/9/10/11/12, finger tight only.
- Step 3: Adjust the steps at the proper position then tighten all the fasteners.

## LHS Step Installation:

- Step 1: Apply ④ to the back of the chassis rail for the front mount bracket as there is no captive nuts.
- Step 2: Please repeat the RHS step installation