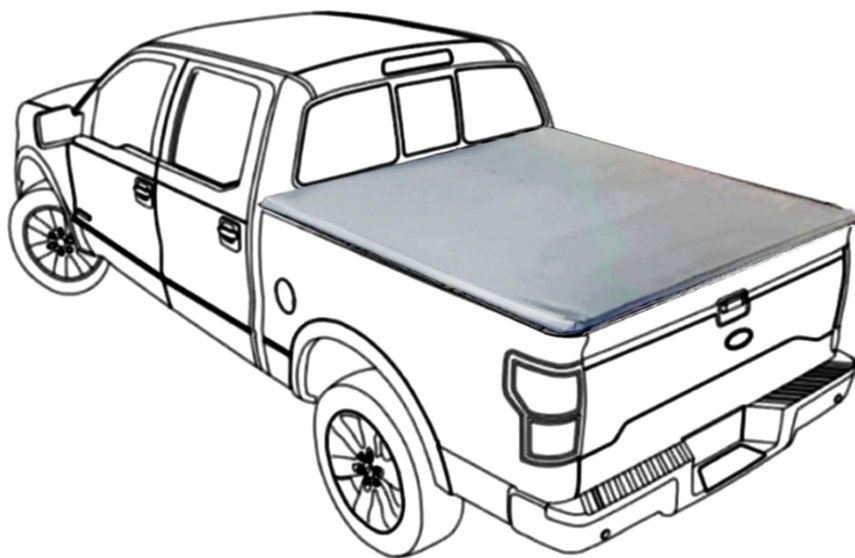
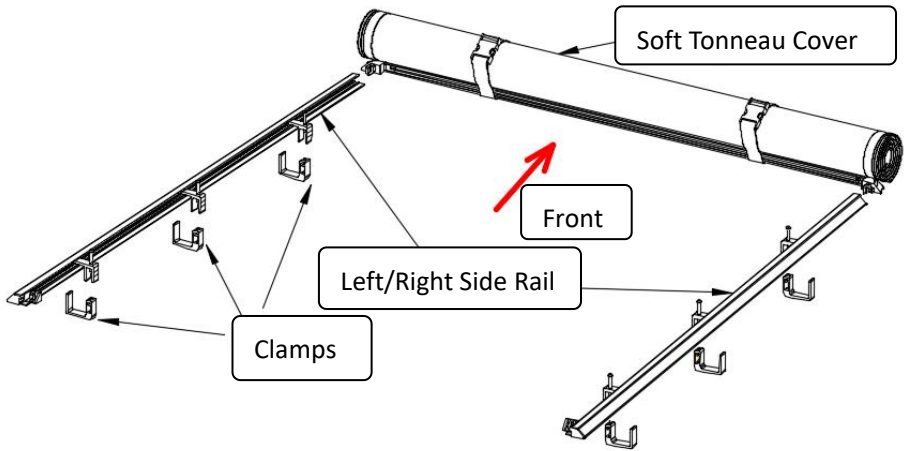


## User's Manual of Roll Up Tonneau Cover



# CONTENTS



**1**

## Clean the Truck Bed

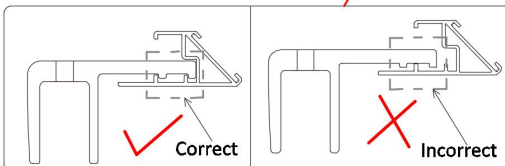
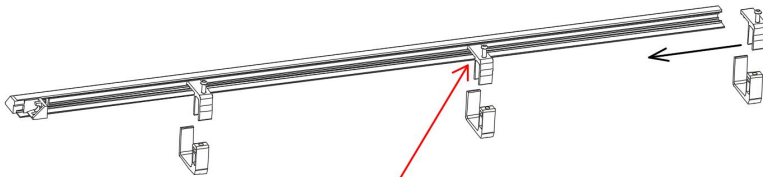
Make sure the truck Bed is clean before installation.

**2**

## Slide the Clamps

Place clamps loosely over side rails & pickup bed rails

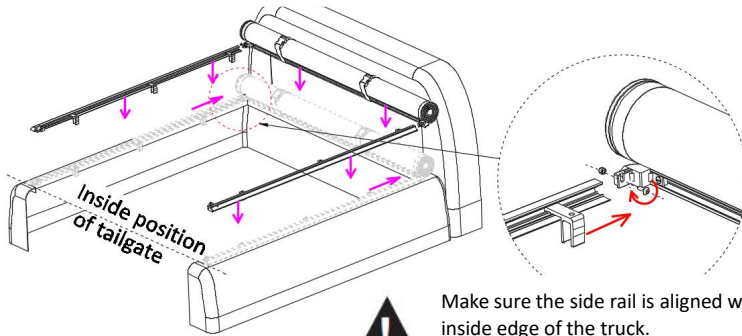
(Different car model with different size of clamps and quantity)



The mounting clamps must be slid into the side rails correctly to avoid further damage.

### 3 Assembling Cover

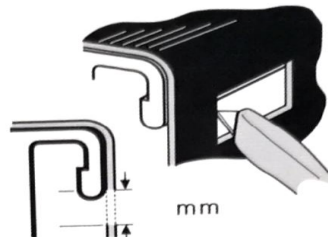
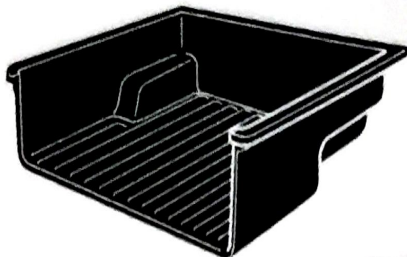
- Place cover assembly on front bulkhead
- Place side rails on pickup bed rails and insert side rail corner plugs into header



Make sure the side rail is aligned with the inside edge of the truck.  
The rear end of the left and right rails are flush with the inner side of the rear door of the truck

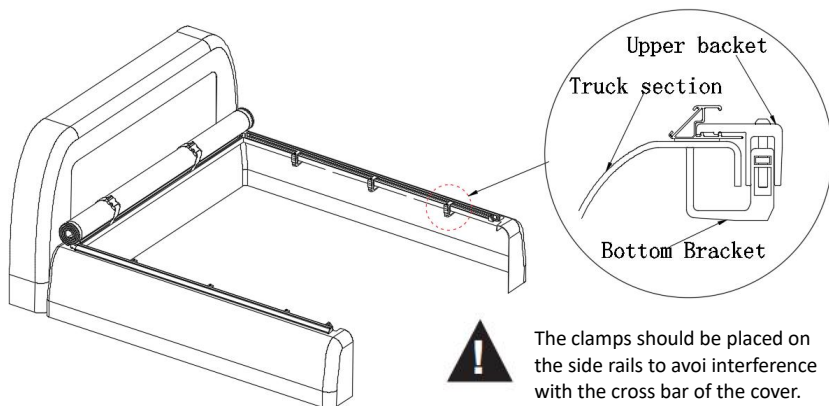
### 4 Installation with Bed Liner (if need)

If with bed liner, please cut 60mm at the corresponding position for the clamps to make solid contact with the bed trim/bed wall flange.



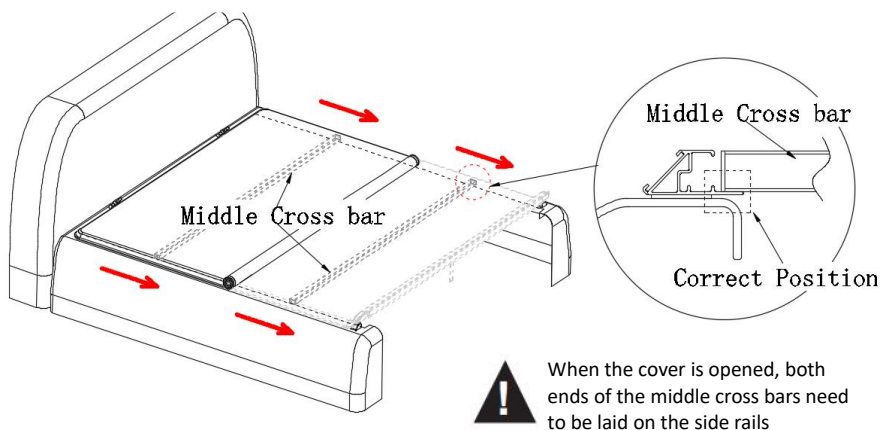
## 5 Cover Position

Adjust the installation position of the cover and adjust the installation brackets to the proper position.



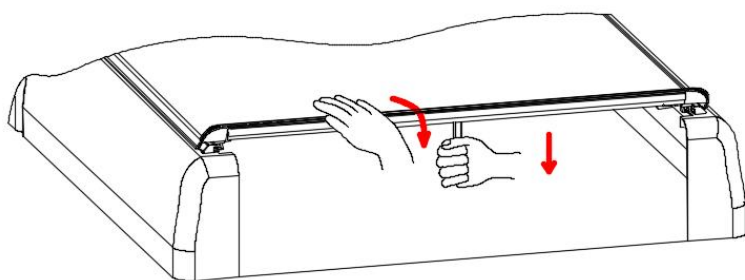
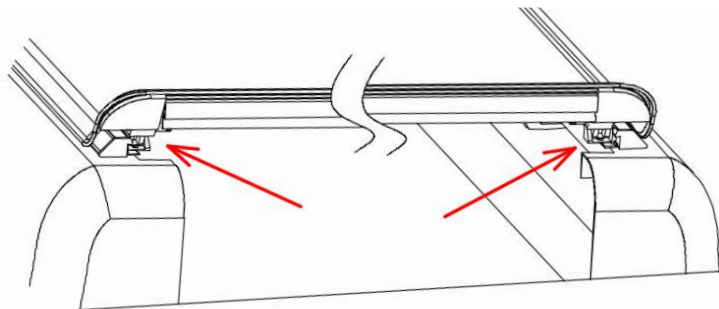
## 6 Rolling down the cover

Unhook the safety straps and rolling down the cover, do not offset the crossbar off the side rails

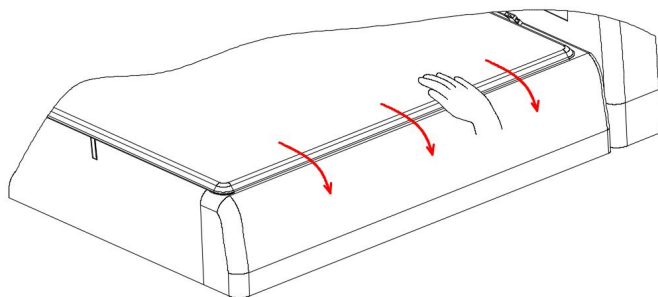


## 7 Latching the over

Push down on the end of cover to close



Cover must be latched down prior to closing the tailgate

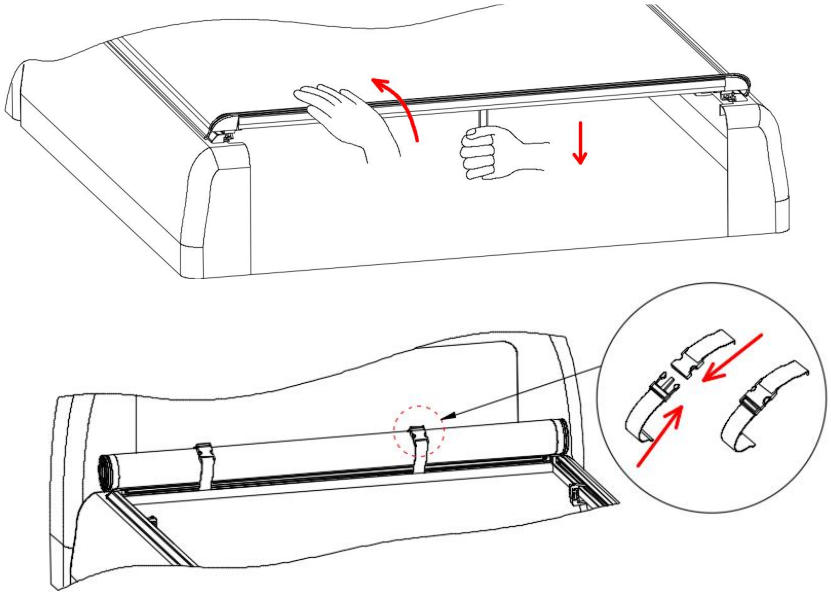


**8**

## Unlatching the Cover

First press the crossbar and then pull the rope down. Unlock the crossbar and turn it over.

Roll the cover forward until it is finished. Secure the cover to the front bar with safety straps



### **!** WARNING

Tighten clamps securely on side bars before driving to prevent cover from blowing off.

1. Do not place objects on or against cover or framework.
2. Do not tie cargo to the framework.
3. Never allow children or pets to occupy pickup box while cover is closed .
4. Cover is not airtight. Special care is required to keep cargo clean and dry.
5. Fabric cover won't prevent theft of contents inside truck box.
6. Cover must be rolled fully open and secured with safety straps when towing vehicle backwards.
7. Opened cover must be secured with both safety straps when driving vehicle.
8. Both sides of the Velcro need to be cleaned to keep it sticky.

## **OWNER/USER RESPONSIBILITIES**

It is the responsibility of the owner/user to read this manual and comply with the operating procedures. The owner/user is also responsible for inspecting their cover, and for having parts repaired or replaced when worn or damaged. Failure to follow safety instructions and warning labels could result in failure of your cover system and/or personal injury.

## **MESSAGES TO INSTALLER**

Always wear safety glasses and/or other necessary protective equipment when installing your cover.

These instructions are complete for most pickup models. Additional instructions are included, if required for your pickup. Please read entire manual before installing your cover.

## **COVER MAINTENANCE**

**Never use silicon, petroleum, or citrus based products on your tonneau cover.**

Vinyl cover can be hand washed with mild soap and water or cleaned in a car wash. Thoroughly rinse cover to remove any soap residue. Cover can be treated with any vinyl protectant made for tonneau covers.